

# Series '400' Peristaltic Pumps

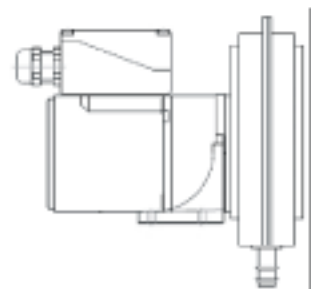


The 400 series industrial range of peristaltic pumps has been designed to offer a low cost, robust method of dosing a wide range of liquids and offers flow rates of 0.9 – 5 litres per minute, depending on the choice of gear motor RPM.

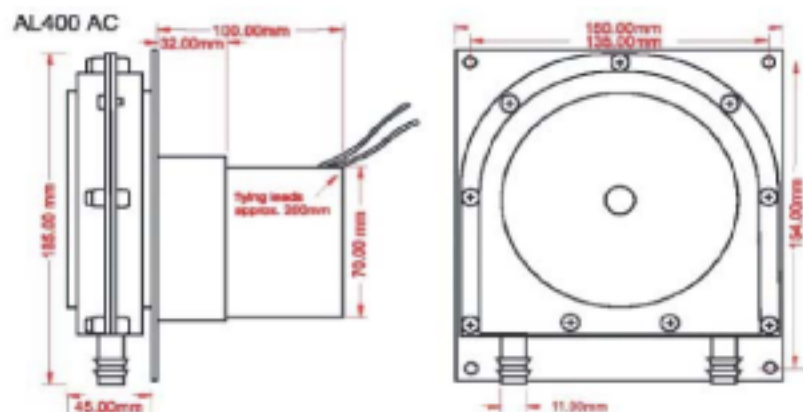
As with all peristaltic pumps they offer excellent suction performance with the ability to self-prime up to 5 metres, even when priming from dry. Peristaltic pumps offer a good level of accuracy and repeatability and as only the tube contacts the pumped media, they are corrosion resistant, extremely reliable, easy to clean and inexpensive to maintain.

The 400 series is suitable for continuous duty industrial pumping applications with 230v single-phase for fixed output induction motors and optional speed controllers for variable speed outputs. The induction motors are available in 50, 100 and 150 rpm.

Rollers rotate on long life industrial Ball Bearings and the rotor cage is manufactured from stainless steel.



This range provides a strong & robust Peristaltic Pump, offering exceptional performance and can be used for a wide range of liquid dosing/transfer applications.



<u>Model No.</u>	<u>Speed</u>	<u>RPM</u>	<u>Voltage</u>	<u>Tube ID/Material</u>
40IIND.F.050.230.130	fixed	50	230vAC	13mm Norprene
40IIND.F.100.230.130	fixed	100	230vAC	13mm Norprene
40IIND.F.150.230.130	fixed	150	230vAC	13mm Norprene
40IIND.V.050.230.130	variable	50	230vAC	13mm Norprene
40IIND.V.100.230.130	variable	100	230vAC	13mm Norprene
40IIND.V.150.230.130	variable	150	230vAC	13mm Norprene

*Please note the 13mm tube delivers 33ml per RPM. To calculate the flow multiply the RPM of gear motor by the displacement per RPM.*

[liquid@liquidcontrols.com.au](mailto:liquid@liquidcontrols.com.au)

[www.liquidcontrols.com.au](http://www.liquidcontrols.com.au)

## Liquid Controls (Aust) Pty Ltd

20A Access Way

P O Box 8336

Tele: 03 9770 8922

Carrum Downs Vic. 3201

Fax: 03 9775 1107